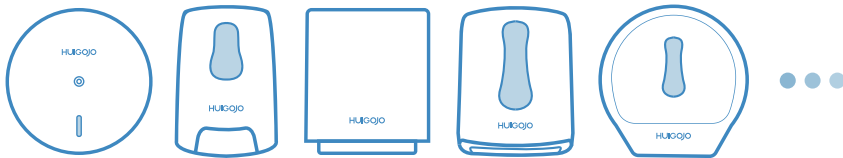


SMARLEAN WALL MOUNTED DISPENSERS

- 18 years experience in Soap Dispenser, Paper Dispenser
- ODM & OEM supplier for the Global Top 500 companies
- 9000sqm plastic factory and mold making



**FOCUS
ON
SOAP / PAPER DISPENSER**



Factory Photos

COMPANY INTRODUCTION

Smarlean has more than 18 years experience of development and manufacturer of hand hygiene dispensers. And focus on ODM& OEM service for Kimberly-Clark with more than 13 years since 2002, obtained several patents and some products had sold millions. With 20 R&D engineer team makes our products with creative and innovation design. Offering comprehensive solution is our greatest strengths.

Smarlean factory owns 9000 sqm plastic and mold making factory, 6 assembly lines and 16 injection molds, makes our factory has high production capacity and can meet high market demands. We have strict quality control system, more than 20 QC items, for example: front cover drop test, battery life test, carton drop test and so on.

CERTIFICATION



DEVELOPMENT

IN 2002

provide ODM& OEM service for Kimberly-Clark.

IN 2014

sticking to develop ourselves dispensers---“ FAMILY SILK SERIES”.

IN 2015

started to enter Domestic Market, 60% customers is hospital market.

IN 2017

factory moved to Heyuan, GuangDong in order to expand our production capacity and meet high market demands.

IN 2018

expand our production lines--- paper and tissue dispenser which is very popular in our domestic market,and obtain ISO9001-2015 certification.

2021

Focus on the solution of cost-saving and profit-increasing, intelligence,digitization in the filed of commercial cleaning consumable



COMPANY CULTURE

VISION:

Become the world's top cleaning consumable dispenser supplier

MISSION:

- Provide the best and most creative dispenser to customers
- Provide the environmentally friendly,high-end,technological commercial cleaning products to users
- Help employees improve their life and realize higher life value

VALUE:

Credibility first,sustainable management

SMARLEAN SLIM SERIES



SMARLEAN SILK SERIES



SMARLEAN NEAT SERIES



SMARLEAN CENTER PUII SERIES



SMARLEAN SLIM SERIES DISPENSER

AUTOMATIC BATHROOM SOAP DISPENSER

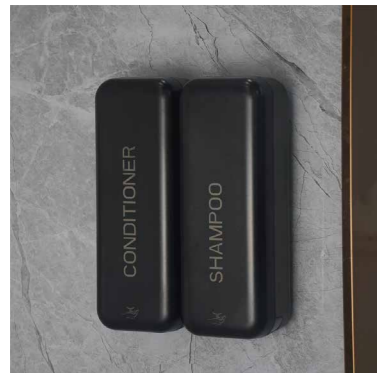


ADVANTAGE

- 💧 IPX7 Super waterproof grade
- 🔋 10,000 times Long Battery life

400ml

Optional Installation&Color



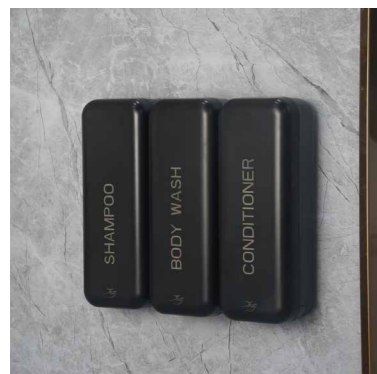
○
White



●
Black

Packing information

Product size:	84*68*225mm
Carton size:	L485*W295*H505 mm
Package:	36pcs/carton
20'GP:	13680PCS
40'GP:	33480PCS



INTERFOLD TOILET TISSUE DISPENSER



ADVANTAGE

- 📄 Large capacity: up to 400 sheets
- 📄 One-at-a-time dispensing
- 💧 Waterproof design



Tissue size: L110*W70 mm

Packing information

Product size:	288H*134W*79D mm
Carton size:	465*300*315 mm
Package:	10 pcs/carton
20'GP:	6370PCS
40'GP:	14800PCS



DOUBLE TOILET TISSUE DISPENSER

ADVANTAGE

- 📄 Large capacity: up to 800 sheet
- 🔄 Double design, no worry out of tissue



Tissue size: L110*W70 mm

Packing information

Product size:	288H*259W*79D mm
Carton size:	465*275*605 mm
Package:	10 pcs/carton
20'GP:	3630PCS
40'GP:	8440PCS

FOLD PAPER TOWEL DISPENSER

ADVANTAGE

Visible back cover, easy to check tissue



Suitable for N/Z/V fold paper towel



Paper size:
Length: 210-230mm
Width: 70-80mm (Folded)

Packing information

Product size:	288H*259W*79D mm
Carton size:	465*275*605 mm
Package:	10 pcs/carton
20'GP:	3630PCS
40'GP:	8440PCS





SMARLEAN SLIK SERIES DISPENSER



HOSPITAL AUTOMATIC ISOAP DISPENSER



ADVANTAGE

- ⚡ Power Saving: Battery life > 80,000 cycles
- ⚡ Low Battery Reminder

1000ml



- 🔧 **PATENT DESIGN**
Adjustable dose by click button: 3 doses

ADJUSTABLE DOSE

- 💧 **LIQUID** (0.4/0.8/1.2ML)
- 👤 **FOAM** (0.4/0.8/1.2ML)
- ☂️ **SPRAY** (0.4/0.8/1.2ML)

Packing information

Product size:	H280*W150*D100mm
Package:	8pcs/carton(8.9kgs)
Carton size:	L630*W448*H320mm
20'GP:	2500pcs
40'GP:	6104pcs



AUTOMATIC ESOAP DISPENSER



ADVANTAGE

- ⚡ Power saving:
Battery life > 50,000 cycles
- 📱 Low Battery Reminder

1000ml



ALTERNATIVE DOSE

- 💧 LIQUID (0.6/1.0ML)
- 👤 FOAM (0.4/0.7ML)
- ☂️ SPRAY (0.4/0.9ML)

Sanitizer Station
clean your hand anywhere

Packing information

Product size:	H280*W150*D100mm
Package:	8pcs/carton (8.9kgs)
Carton size:	L650*W440*H320mm
20'GP:	2500pcs
40'GP:	6104pcs



MANUAL MSOAP DISPENSER



ADVANTAGE

- 👉 Adjustable dose by rotary switch
- ♿ ADA compliance
Depth < 4", light pushing force < 5 lbs

1000ml



Your Logo, Your Color



ADJUSTABLE DOSE

- 💧 LIQUID (0.6/1.0ML)
- 👤 FOAM (0.4/0.7ML)
- ☂️ SPRAY (0.4/0.8ML)

Packing information

Product size:	H280*W150*D100mm
Package:	20pcs/carton (14kgs)
Carton size:	L565*W345*H580mm
20'GP:	5400pcs
40'GP:	11500pcs

SMARLEAN BOTTLE&BAG



Refillable bottle(1000ml)
(Dia 55mm Large opening
Easy filling)

Disposable bottle(1000ml)

Disposable bag(1000ml)

OPTIONAL LOCKING



Button



Key

PUMP TYPE



Bag version foam/liquid/spray



Bottle version liquid/foam/spray

DISPENSER FLOOR STAND



ADVANTAGE

- High quality Aluminum Alloy durable pipe, smooth matte finish



clean your hand anywhere



Single package simple DIY

Packing information

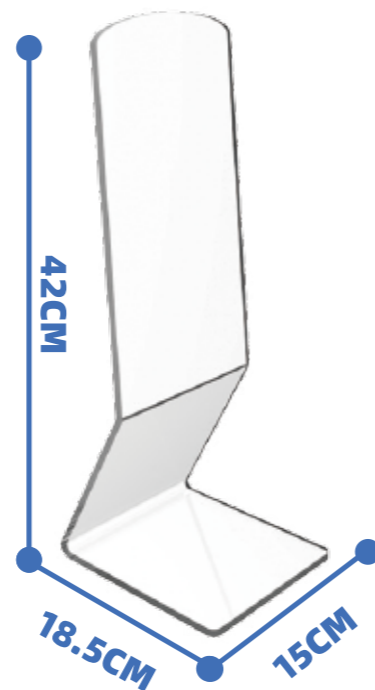
Product size:	41*41*152cm
Package:	1pc/carton
Carton size:	L420*W420*H125mm
20'GP:	1272pcs
40'GP:	2954pcs



TABLE STAND FOR AUTOMATIC SOAP DISPENSER

ADVANTAGE

- Portable, lay anywhere you like
- Free to install, no need to put on the wall, easy and convenient



Packing information

Product size:	180*150*450mm
Package:	10pc/carton
Carton size:	L520*W440*H315mm
20'GP:	7360pcs
40'GP:	17100pcs

FOLD PAPER TOWEL DISPENSER



Paper type: N/Z/V fold



Dispense the latest sheet of paper



Well-designed ribs (inside) Insure paper pulling smoothly

Paper size

Paper length(N/Z fold):	210-230mm
(V fold):	210-230mm
Paper width(N/Z fold):	70-78mm
(V fold):	< 105mm

Packing information

Product size:	H310*W260*D110mm
Package:	10pcs/carton (11.5kgs)
Carton size:	L670*W580*H390mm
20'GP:	1770pcs
40'GP:	4110pcs

JUMBO ROLL PAPER DISPENSER



Sweet holding design



Two alternative core sizes (48mm/73mm)



Clips prevent paper over-rolling (Patent Structure)

Packing information

Product size:	H280*L270*W120mm
Package:	12pcs/carton
Carton size:	L570*W435*H600mm
20'GP:	2232pcs
40'GP:	5196pcs



Paper roll size:9" Paper roll

SMARLEAN NEAT SERIES



COMPACT CSOAP DISPENSER

ADVANTAGE

- No key, pulling down to open
- Smaller size for smaller space

500/1000ml



LIQUID (0.4ML) FOAM (0.4ML)

Large area for customized Color & Logo



ADA compliance
Depth<4", light pushing force<5 lbs

Packing information

Product size:	W121*D92*H240mm
Package:	20pcs/carton(9.8kgs)
Carton size:	L550*W510*H268mm
20'GP:	8000pcs
40'GP:	18560pcs

AUTOMATIC LSOAP DISPENSER

ADVANTAGE

- Power saving:
Battery life >50,000 cycles
- Large printing area customized logo&color

1000ml



ALTERNATIVE DOSE

LIQUID (0.6/1.0ML) FOAM (0.4/0.7ML) SPRAY (0.4/0.9ML)



Table Stand
clean your hand anywhere

Packing information

Product size:	H280*W150*D100mm
Package:	8pcs/carton (8.9kgs)
Carton size:	L650*W440*H320mm
20'GP:	2500 pcs
40'GP:	6104 pcs



DOWN PULL PAPER TOWEL DISPENSER

ADVANTAGE

- Large capacity, reduce replacement and labor cost
- Large area for logo/picture printing



Clear side wall to check paper level



One-at-a-time dispensing, reduce consumption

Paper size



Paper roll: Dia < 200mm
Height < 307mm

Packing information

Product size:	H307*L295*D227mm
Package:	1pc/carton
Carton size:	L385*W355*H285mm
20'GP:	700pcs
40'GP:	1625pcs

SENSOR PAPER TOWEL DISPENSER

ADVANTAGE

- Low battery light, low paper light
- Suit for specific paper roll with perforation
- Power saving: up to 50,000 cycles



Without cutter
Easy tear and safe



4pcs D size
Alkaline batteries



Automatic paper
end feed

Packing information

Product size:	H307*L295*D227mm
Package:	1pc/carton
Carton size:	L385*W355*H285mm
20'GP:	700pcs
40'GP:	1625pcs

Paper size

Paper roll size: Dia 200*195mm

ADVERTISING ASOAP DISPENSER



ADVANTAGE

- Antisepsis push bar
- Smaller size for smaller space

450ml

ADJUSTABLE DOSE

LIQUID (0.4/0.8/1.2ML) SPRAY (0.4/0.8/1.2ML)



Big Window Design
Advertising use



Packing information

Product size:	H195*L100*D75mm
Package:	20pcs/carton
Carton size:	L455*W415*H245mm
20'GP:	10800pcs
40'GP:	26800pcs

WALL MOUNTED WSOAP DISPENSER



ADVANTAGE

- Power saving: long battery life > 50,000 cycles
- Adjustable dose/Big dose
- Mainly designed for Hospital

ADJUSTABLE DOSE

LIQUID (1.2/2.4ML) FOAM (1.2/2.4ML) SPRAY (1.2/2.4ML)

Your bottle for your soap
Fit different bottles



Packing information

Product size:	L140*W105*H110mm
Package:	10pcs/carton
Carton size:	L600*W370*H150mm
20'GP:	9320pcs
40'GP:	21650pcs

PUMP PUSH MANUAL PSOAP DISPENSER



ADVANTAGE

- Push pump bulge design, convenient using
- Large area for logo/picture printing

500ml



Suit for corner design
Saving space

LIQUID
(0.4ML)

FOAM
(0.4ML)

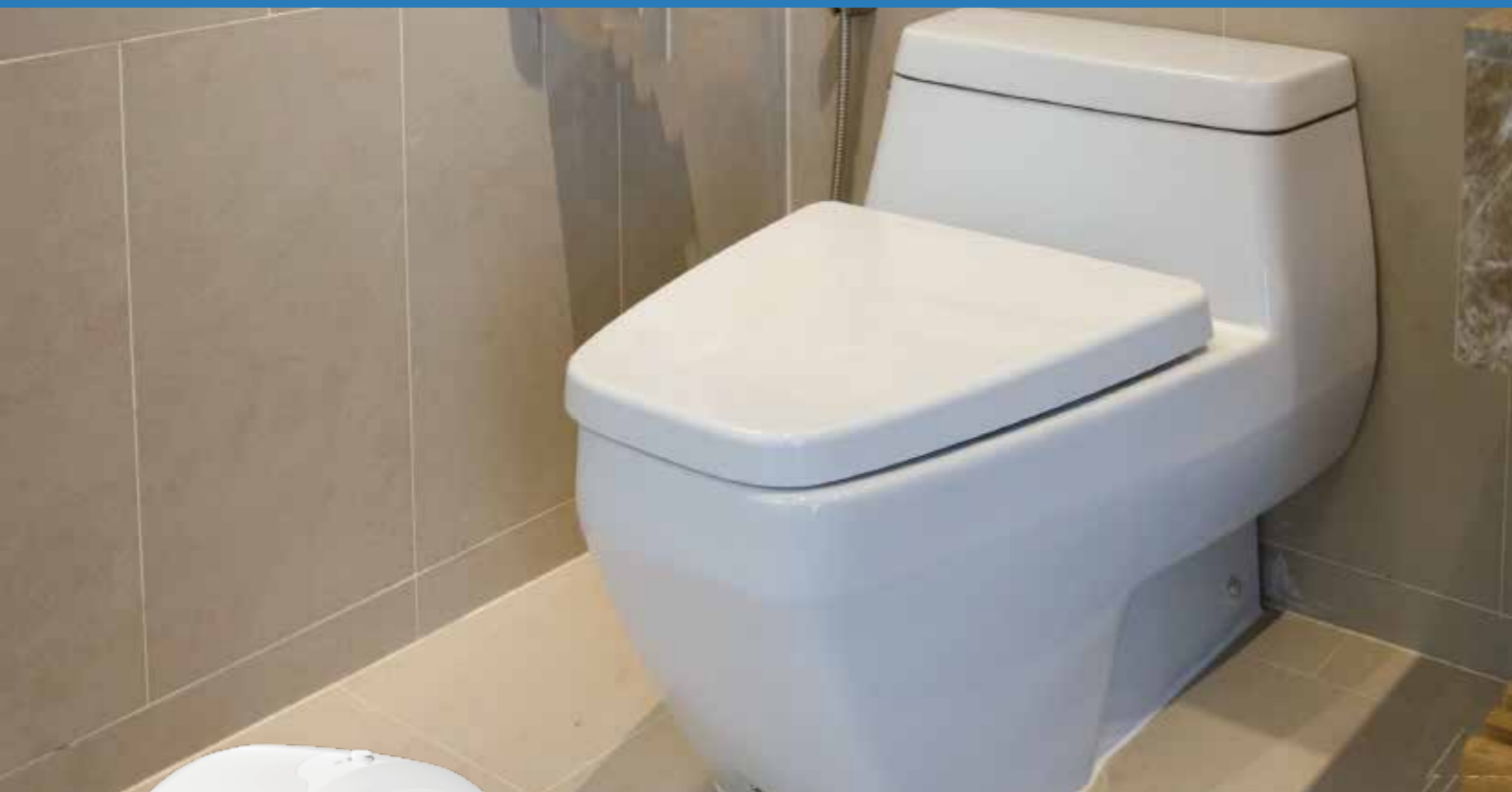
Packing information

Product size:	H178*L136*D72mm
Package:	24pcs/carton
Carton size:	L490*W295*H390mm
20'GP:	11400pcs
40'GP:	28600pcs



SMARLEAN CENTER PULL SERIES





CENTER PULL TISSUE DISPENSER

Paper size

Paper Length*Width:	180*134mm
Core Diameter:	60mm
Roll Diameter(Big):	200-210mm
Roll Diameter(Small):	150-155mm

ADVANTAGE

- Dispense the lastest sheet (Patent Structure)
- High capacity, lowers maintence cost

Packing information

Product size(Big):	Dia237*150mm
(Small):	Dia186*150mm
Package(Big):	12pcs/carton
(Small):	18pcs/carton
Carton size(Big):	L485*W490*H500mm
(Small):	L600*W485*H400mm
20'GP(Big):	3200pcs
(Small):	4266pcs
40'GP(Big):	6492pcs
(Small):	9900pcs

DOWN PULL TISSUE DISPENSER

ADVANTAGE

- Compact size ,suitable for hotel
- Completely enclosed roll: Water-proof, prevent cross-contamination



Double pull tissue dispenser for your choice

Paper size

Paper Length*Width:	180*120mm
Core Diameter:	30mm
Roll Diameter:	115mm

Packing information

Product size:	Dia120*105mm
Package:	24pcs/carton
Carton size:	L605*W450*H295mm
20'GP:	8280pcs
40'GP:	19248pcs



CENTER PULL PAPER TISSUE DISPENSER



ADVANTAGE

- No break inside, no continue dispensing
- Completely enclosed roll, reduce cross-contamination
- Dispense the latest sheet (Patent structure)

One-at-a-time dispensing
Reduce consumption

Paper size

Paper Length*Width:	220*95mm
Core Diameter:	60mm
Roll Diameter:	200mm

Packing information

Product size:	Dia264*112 mm
Package:	20pcs/carton
Carton size:	L595*W490*H505mm
20'GP:	3660pcs
40'GP:	8480pcs



DOUBLE ROLL CENTER PULL TISSUE DISPENSER



Additional Fragrant block design

ADVANTAGE

- One-at-a-time dispensing, reduce consumption
- Dispense the latest sheet (Patent structure)



Double roll, no worry out of tissue

Paper size

Paper Length*Width:	220*95mm
Core Diameter:	60mm
Roll Diameter:	150mm

Packing information

Product size:	H192*L384*D107 mm
Package:	10pcs/carton
Carton size:	L610*W425*H425mm
20'GP:	2450pcs
40'GP:	5700pcs



DOUBLE ROLL TISSUE DISPENSER

ADVANTAGE

- Double roll design, no worry out of tissue
- Individual cover design, no contamination



For any core paper



No paper core, Simple put

Paper size



Paper roll size: Width < 110mm

Packing information

Product size:	H160*L264*D142mm
Package:	8pcs/carton
Carton size:	L570*W320*H375mm
20'GP:	3288pcs
40'GP:	7640pcs

KITCHEN PAPER TOWEL DISPENSER

ADVANTAGE

- One hand, simple and easy
- With protective film, reduce cross-contamination



Paper size



Paper roll: Dia < 143mm



Stainless steel nozzle clean and durable



Semi-fuselage design, save cost

Packing information

Product size:	L156*W164*H126mm
Package:	18pcs/carton
Carton size:	L505*W355*H415mm
20'GP:	6372pcs
40'GP:	14796pcs

DOUBLE ROLL DOWN PULL PAPER TOWEL DISPENSER

ADVANTAGE

- One-at-a-time dispensing, reduces consumption
- Transparent front cover, easy to check the paper level



Double roll design
No worry out of paper



Individual cover design
No cross-contamination

Paper size



Paper Length*Width:210*150mm
Roll Diameter:140mm

Packing information

Product size:	L339*W169*H290mm
Package:	6pcs/carton
Carton size:	L535*W590*H365mm
20'GP:	1422pcs
40'GP:	300pcs

ODM/OEM SERVICE

CUSTOMIZED LOGO

- MOQ: 200pcs, Logo film charge:US\$100/color

CUSTOMIZED COLOR

- MOQ: 2000pcs



WELCOME TO CUSTOMIZE YOUR EXCLUSIVE DISPENSER



SMARLEAN

smarlean makes dispensers smart

www.dispensersml.com